

Celosia

by Patricia Urquiola



MU
TIN
A



Celosia

by Patricia Urquiola

Mutina and Patricia Urquiola wanted to reprise the traditional artisanal production process typical of terracotta. Elements which come out from earth, imperfect and solid, marked by the hand of man and by time passing. Roof tiles, bricks, hollow bricks and partition walls are undone, unstructured and re-interpreted in a new way, keeping a traditional touch.

The wish to exit from two-dimensional spaces typical of standard wall covering, is translated into the experimentation of three-dimensional bricks, which gives shape to new design elements, whose high aesthetic-functional content enables limitless solutions for indoor and outdoor spaces.

Because of its shape, the partition element Celosia evokes the Roman numbering system. The structure followed for its installation creates dynamic and unique partitions.



”

I needed a real tactile material, which did not pretend to be anything else. I was looking for a warm element, both visually and to the touch.”

Patricia Urquiola

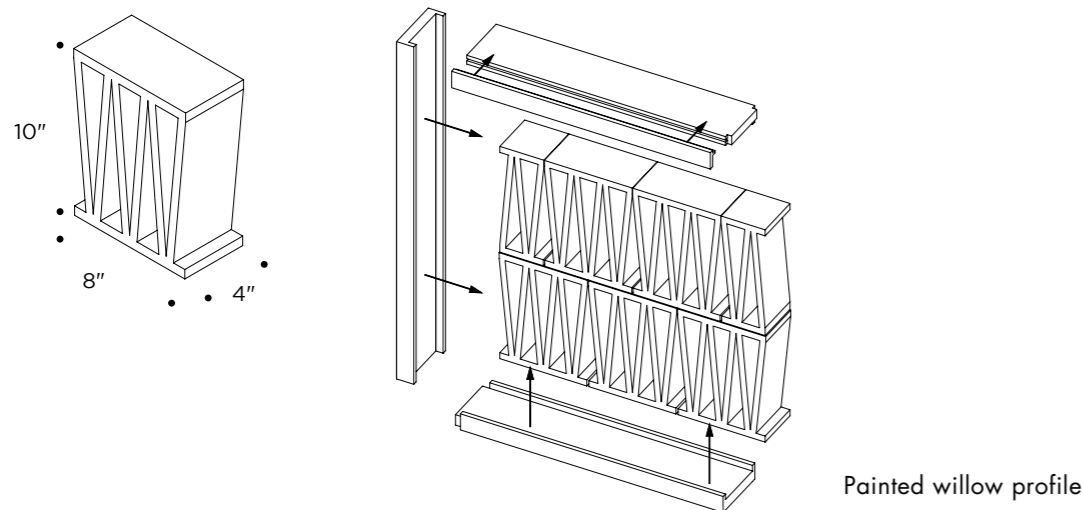




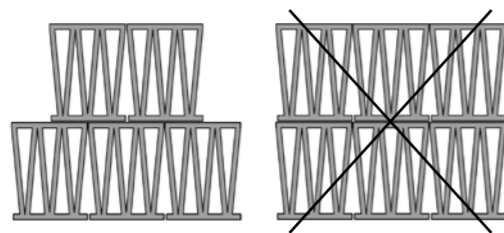


Sizes & Colors

design	Patricia Urquiola	2018
production	artisanal	
material	extruded terracotta	
*	nominal sizes	
size	8" · 10" · 4"	
award	2018 Interior Design's Best of Year	



To make the installation of these items easier, a Mutina sealant is now available: an organic and eco-friendly sealing material, which is sold separately.



For security reasons only staggered installation is strictly allowed.

Technical Features

Artisanal extruded partition elements, 10cm thick. These elements must in any case comply with the technical standards of construction regulation, applicable in the country where they are installed. For the Italian national territory, in particular, they should comply with standard NTC 2018 DECRETO MIN 27/01.

This product is suitable for both residential and commercial areas, to be installed in walls with a maximum height of 4mt. In order to achieve an optimal aesthetic outcome we advise to install Celosia using our wooden profile. A top profile with removable sides is provided for ceiling fixing. The product is suitable for indoor and outdoor areas complying with UNI EN 722-22 marked "F1 - moderate exposure".

STANDARD	FEATURES	VALUE REQUIRED	VALUE
UNI EN 772-16	dimensions	to declare	T2 – R2
UNI EN 772-21:2011	water absorption	to declare	12.5%
UNI EN 772-5:2016	content of active soluble salts	to declare	S2
UNI EN CEN/TS 772- 22:2006	freeze-thaw resistance	to declare	F1
D.M. 1401/2008	determination of horizontal variable loads	to declare	C2
LEED CERTIFICATION 4.1			10% recycled material

Packing

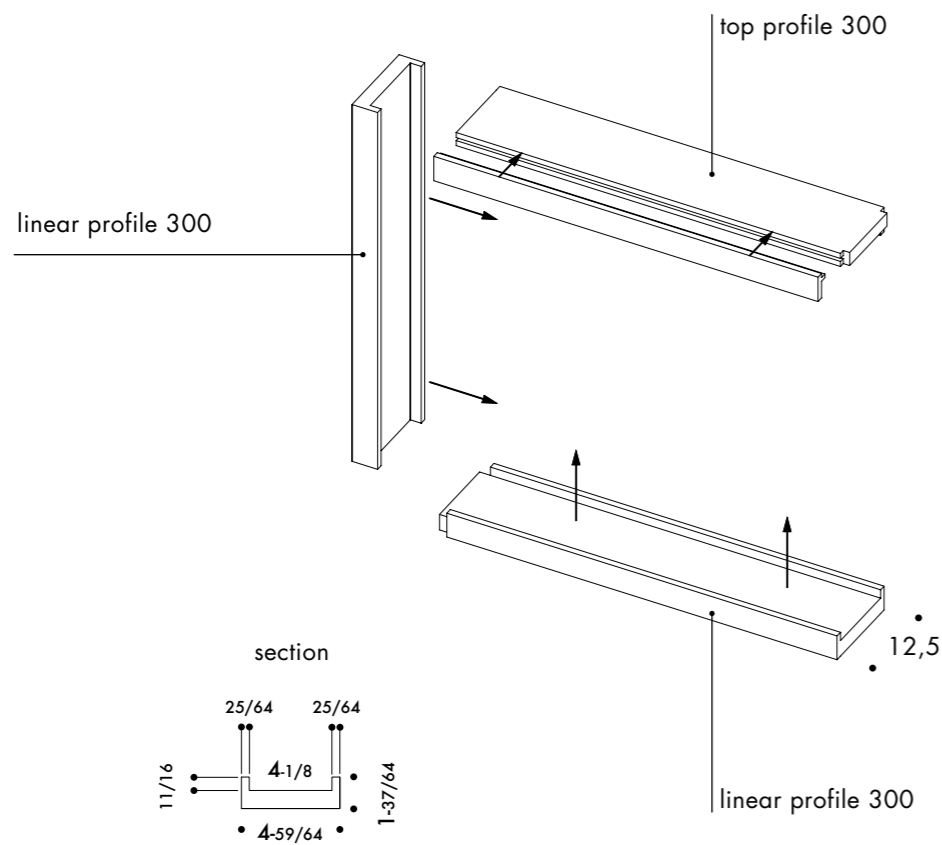
SIZE	PCS-SQM	PCS-PAL	SQM-PAL	KG-PC	KG-PAL
20,5-26,5-10 cm	18,41	32	1,74	5,50	176

Complementary Pieces

	Mutina sealant
material	Eco-friendly neutral silane sealant with reduced solvent content produced by Kerakoll exclusively for Mutina.
features	Mutina sealant develops a high level of adhesion on all materials without the use of primers and permanent elasticity on absorbent and non-absorbent surfaces.
use	Suitable for indoor and outdoor use, it gives waterproof sealing of construction elements.

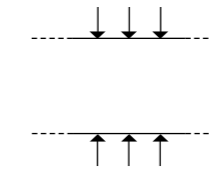
Complementary Pieces

items	Linear painted willow profile (also suitable for outdoor use) Top painted willow profile (also suitable for outdoor use) with one shaped end to make clamping easier.
size	$4\frac{59}{64}'' \cdot 118\frac{7}{64}'' \cdot 1\frac{37}{64}''$
*	nominal sizes

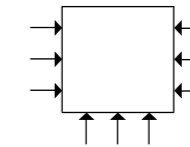


Wall Anchoring Scheme

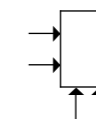
	Wall Anchoring Scheme
↓	Fisher long shaft fixing SXR 8x80



Anchoring on 2 sides MAX h400 cm



Anchoring on 3 sides MAX h400x300 cm



Anchoring on 2 sides MAX h250x100 cm



OPUSTONE.COM

FORT LAUDERDALE | MIAMI | WEST PALM BEACH